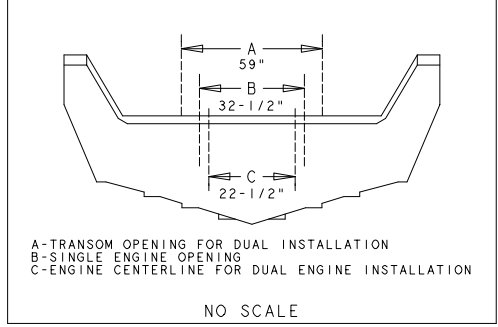
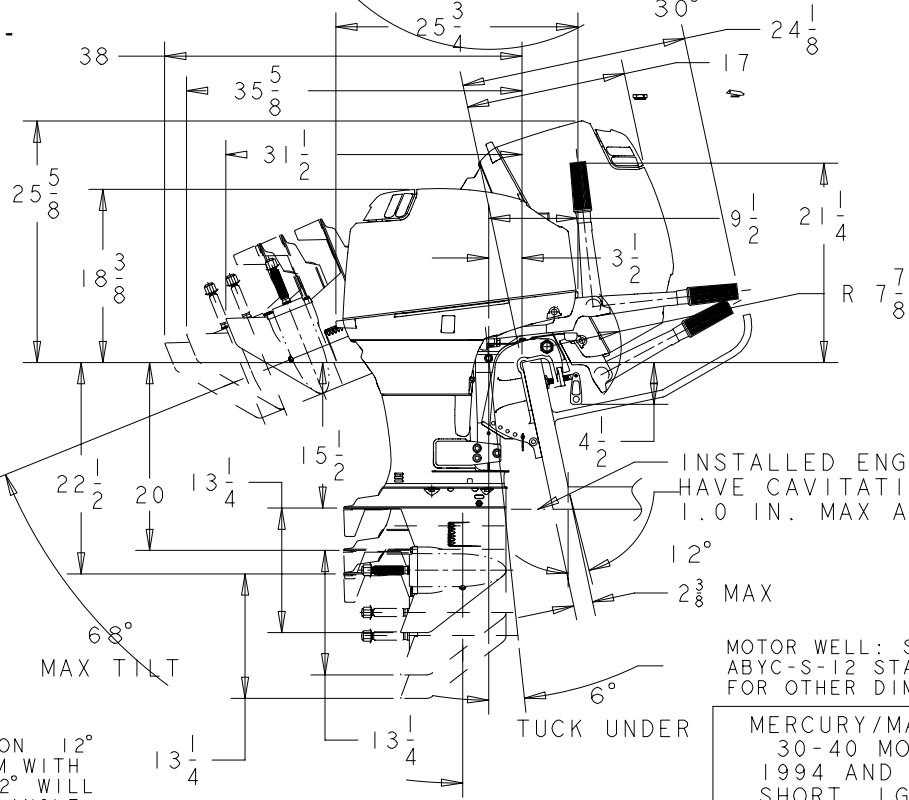
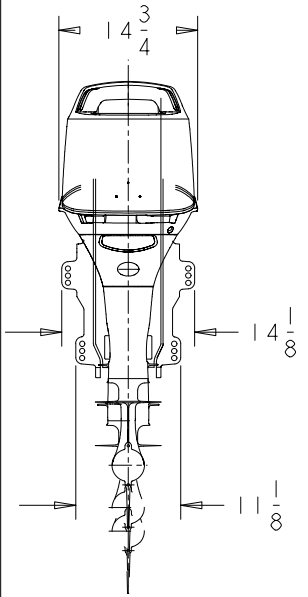


LET.	DRAWING RELEASE OR BRIEF DESCRIPTION OF CHANGE	BY	DATE	E.C.N. NO.
	DRAWING RELEASE	DMK	4 04 94	7 0 0 2 9

COMPUTERIZED DOCUMENT
NO MANUAL REVISIONS PERMITTED



A-TRANSOM OPENING FOR DUAL INSTALLATION
B-SINGLE ENGINE OPENING
C-ENGINE CENTERLINE FOR DUAL ENGINE INSTALLATION

INSTALLED ENGINE ON TRANSOM TO HAVE CAVITATION PLATE EVEN TO 1.0 IN. MAX ABOVE BOTTOM OF BOAT.

TILT POSITION IS BASED ON 12° TRANSOM ANGLE. A TRANSOM WITH AN ANGLE GREATER THAN 12° WILL REDUCE THE MAXIMUM TILT ANGLE AND INCREASE TUCK UNDER ANGLE.

MOTOR WELL: SEE ABYC-S-12 STANDARD FOR OTHER DIMENSIONS

MERCURY/MARINER
30-40 MODELS
1994 AND NEWER
SHORT, LG, LL,
NON-POWER TRIM

MERCURY MARINE	DR. BY DMK
DIV. OF BRUNSWICK CORP.	DATE 4-01-94
FOND DU LAC, WIS. 54935	SHT. 1 OF 1

TITLE	
INSTALLATION DRAWING	
SCALE	PART NO.
1:12	90-827867