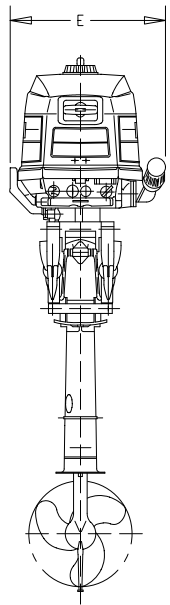
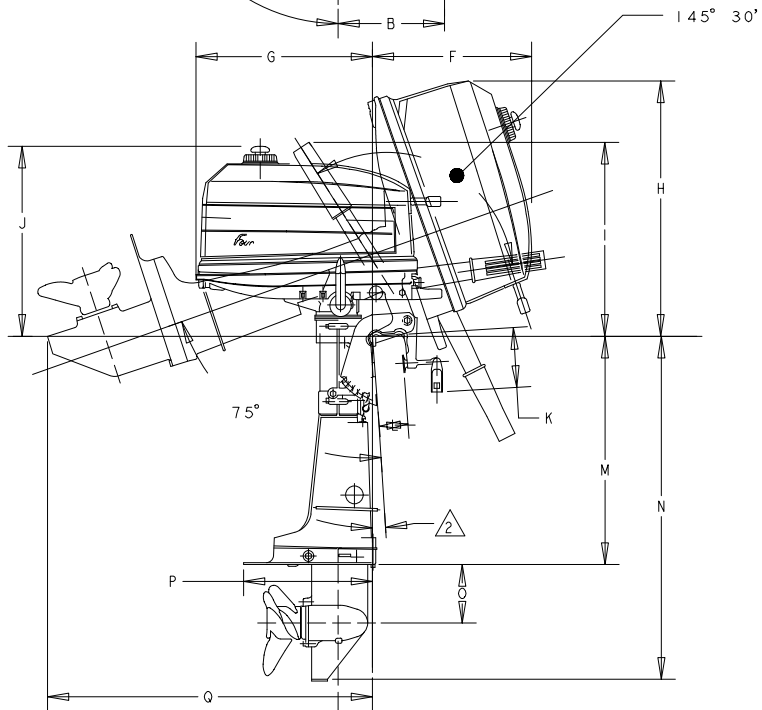


A	16-1/2" (419.1 MM)	M	SHORT-17-5/8" (447.7 MM)
B	8-9/32" (210.3 MM)		LONG-22-5/8" (574.7 MM)
C	11-1/8" (282.6 MM)		ULTRA LONG-
D	12-5/8" (320.7 MM)	N	SHORT-26-1/4" (666.7 MM)
E	12-11/16" (322.2 MM)		LONG-31-1/4" (793.7 MM)
F	12-19/32" (319.9 MM)		ULTRA LONG-
G	14-0" (355.6 MM)	O	4-11/32" (110.3 MM)
H	19-3/8" (492.1 MM)	P	10-1/4" (260.3 MM)
I	10-1/32" (254.8 MM)	Q	SHORT-25-19/32" (649.6 MM)
J	14-3/8" (365.1 MM)		LONG-29-17/32" (750.1 MM)
K	4-3/16" (106.3 MM)		ULTRA LONG-
L	2-11/32" (59.5 MM)		

LET	DRAWING RELEASE OR BRIEF DESCRIPTION OF CHANGE	BY	DATE	E.C.N. No.	MF DATE
	DRAWING RELEASE	LRM	3-1-00	00496	

COMPUTERIZED DOCUMENT
NO MANUAL REVISIONS PERMITTED



NOTES:
1. FULL 360° STEERING ABILITY WITH FULL GEAR SHIFT (F-N-R)
2. 4° TILT ANGLE IN 1ST. PIN HOLE

MERCURY MARINE		DWN. BY	LRM
DIV. OF BRUNSWICK CORP.		DATE	2-04-00
FOND DU LAC, WI. 54935		SHT.	1 OF 1
TITLE			
INSTALLATION - DRAWING 4/5 TWO STROKE			
DO NOT SCALE	PART No.		
DWG. SIZE	90-879993		
CHK. BY	S.J.L. 3-1-00		

