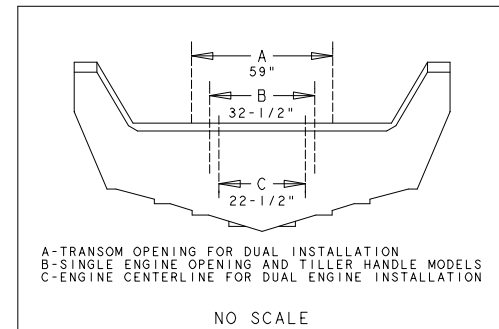
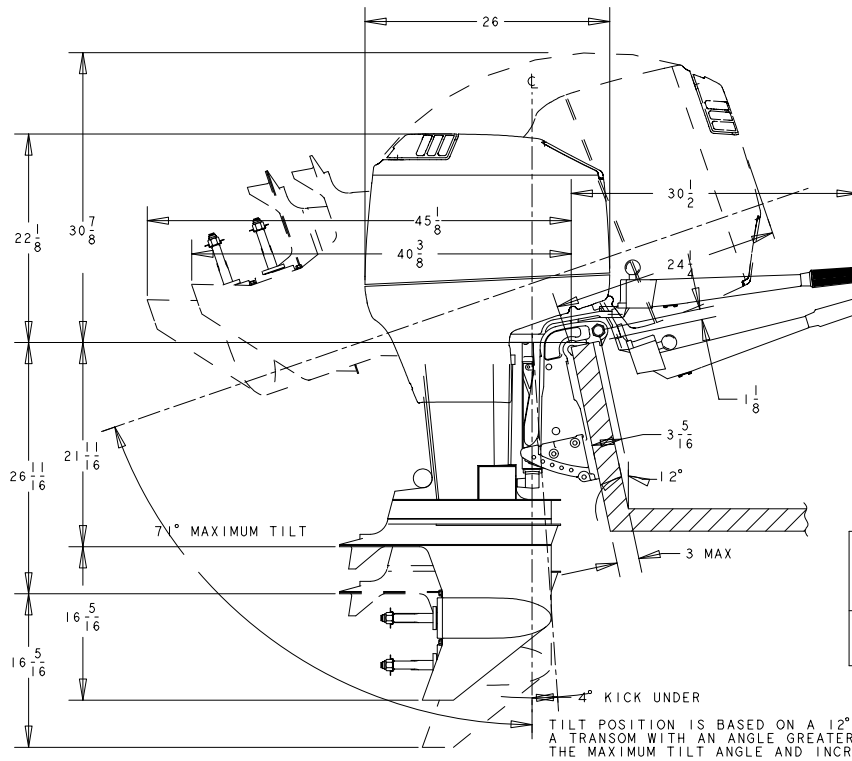
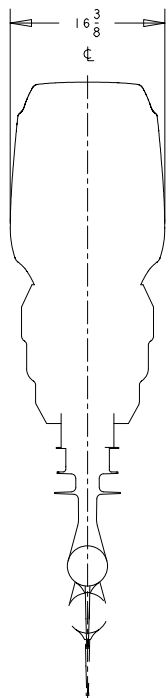


| LET. | DRAWING RELEASE OR BRIEF DESCRIPTION OF CHANGE | BY | DATE | E.C.N. NO. |
|------|--|-----|--------------|------------|
| | DRAWING RELEASE | REW | 3 8 93 | 67065 |

COMPUTERIZED DOCUMENT
NO MANUAL REVISIONS PERMITTED



A-TRANSOM OPENING FOR DUAL INSTALLATION
B-SINGLE ENGINE OPENING AND TILLER HANDLE MODELS
C-ENGINE CENTERLINE FOR DUAL ENGINE INSTALLATION

MODEL
70-90 EH
1994 AND NEWER

LONG SHAFT EXTRA-LONG SHAFT

MERCURY MARINE DR. BY: REW
DIV. OF BRUNSWICK CORP. DATE 3-8-93
FOND DU LAC, WIS. 54935 SHT. 1 OF 1

TITLE
INSTALLATION DRAWING

SCALE PART NO.
1:12 90-823364-2