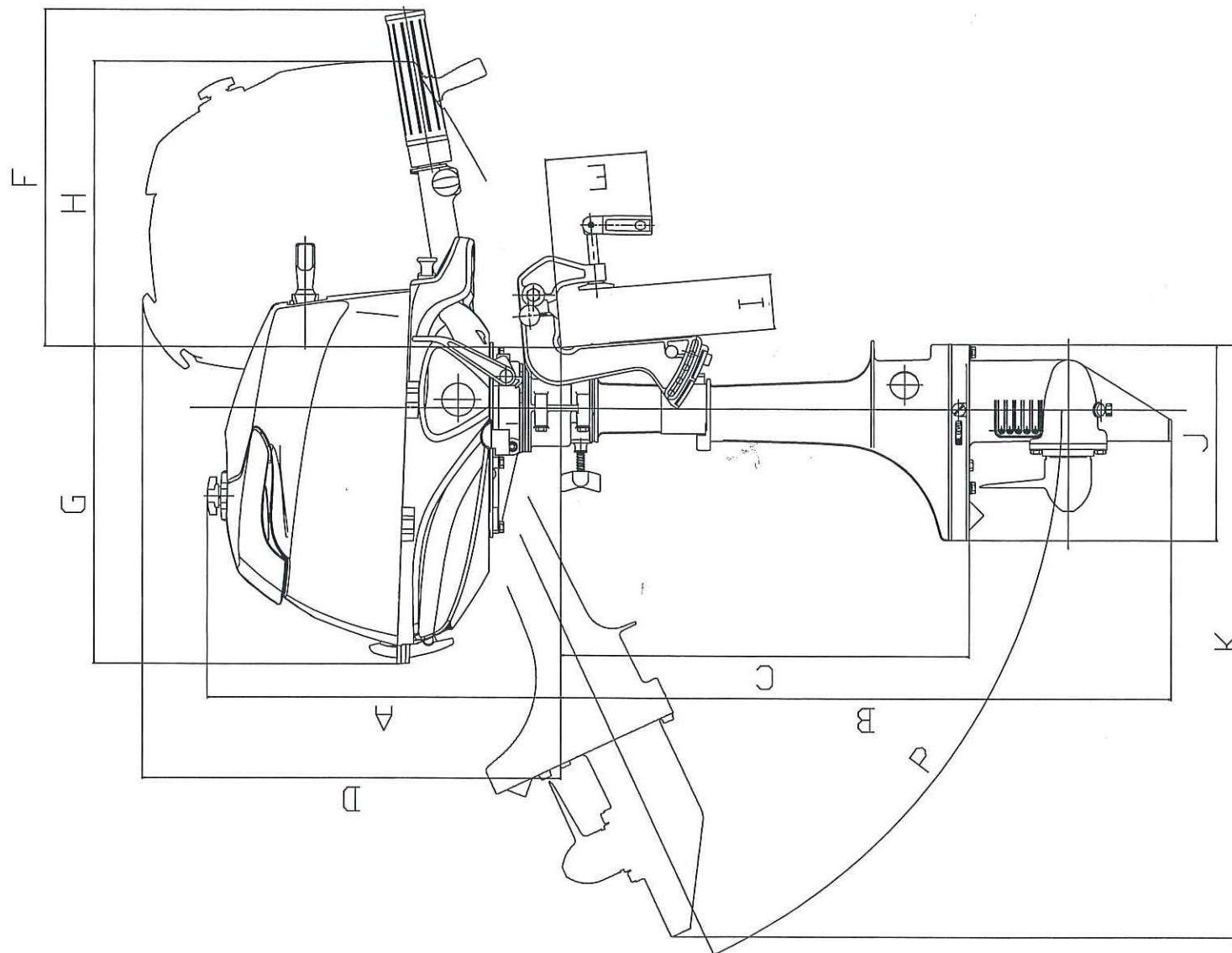
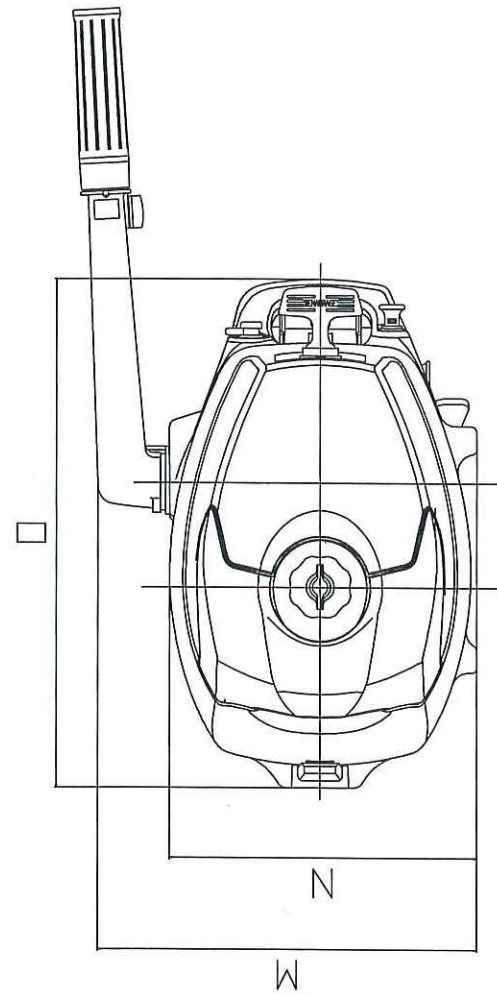


LET	REVISIONS	BY	DATE	ECN
A	DRAWING RELEASE	REM	21-MAY-2007	20370-07

A	377
B	S 649
C	L 776
D	S 434
E	L 561
F	446
G	108
H	358
I	336
J	H 303
K	I 58
L	J 208
M	K 628
N	L 363
O	M 340
P	N 276
	O 453
	P 65*

(mm)



NOTES:

1. ALL VALUES ARE IN MILLIMETERS UNLESS OTHERWISE NOTED.
2. THE DIMENSIONING AND TOLERANCING ARE IN ACCORDANCE WITH ASME Y14.5M-1994.
3. 0 KPC'S PER MERCURY SPEC. M-251-G AS NOTED BY ■ OR ▣

MATERIAL		PER MERC SPEC:
FINISH		PER MERC SPEC:
REF SPECS		M-251-G
THE INFORMATION CONTAINED IN THIS DOCUMENT IS TO BE TREATED AS TRADE SECRET AND CONFIDENTIAL TO MERCURY		
UNLESS OTHERWISE SPECIFIED		
	THIRD ANGLE PROJ	
SCALE: 1:1		METRIC TOLERANCE
DO NOT SCALE	LINEAR	DIMENSIONS ARE AFTER PLATING BREAK ALL SHARP EDGES CHAM. TAPPED HOLES 90° X THD DIA MACHINED SURFACES $\sqrt{3/2}$ THREAD LENGTH = FULL THREADS
MANUF CAST	ANGLES	
MANUF MACH	MANL ENG	
QC	PURCH	
APPROVED	PRODUCT LINE	TITLE
R. ZEITLER	2.5-3.5- 4S	INSTALLATION DRAWING FOUR STROKE
CHECKED	DATE	PART NUMBER
R. ZEITLER	10-MAY-2007	8M0029314
	DESIGNED	SHEETS
	R. MUELLER	1 of 1